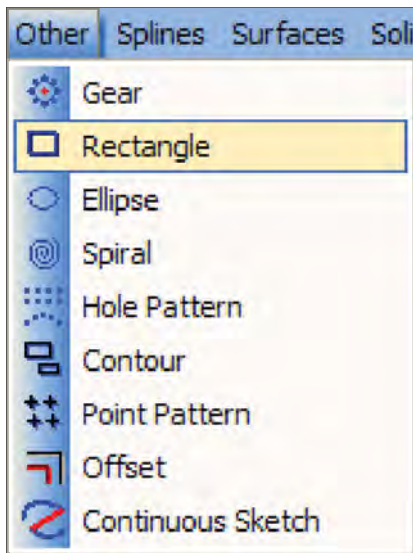


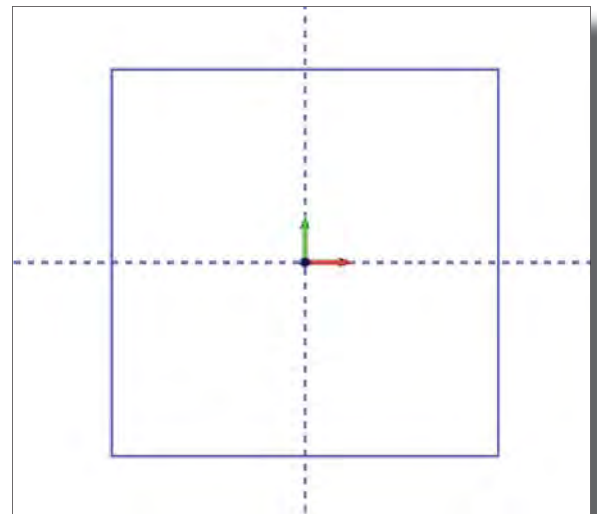
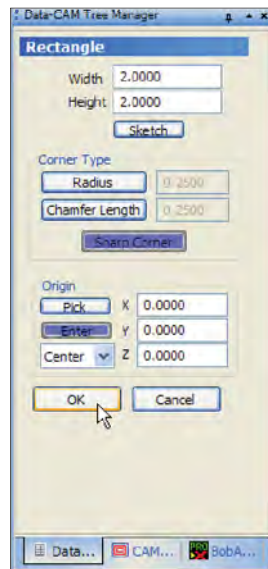
FAQ #12: How do I set stock geometry for simulation?

BobCAD-CAM will automatically decide on stock position and size when simulating toolpath. Occasionally the user will need to simulate on stock that differs from what is automatically generated. What follows is an example of how to set stock to something else.

Step 1. Click on **Other** in the main menu and then on **Rectangle**.

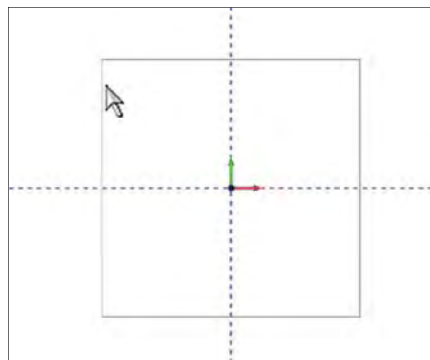
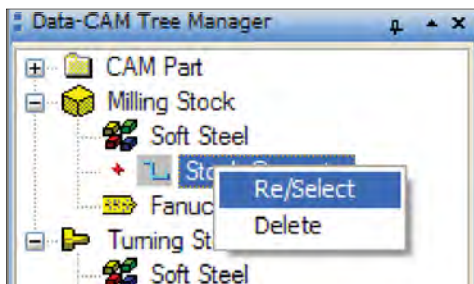


In the dialog displayed in the **Data-CAM Tree Manager**, simply click **OK**. The actual shape used is irrelevant, but a closed 2D shape is required.

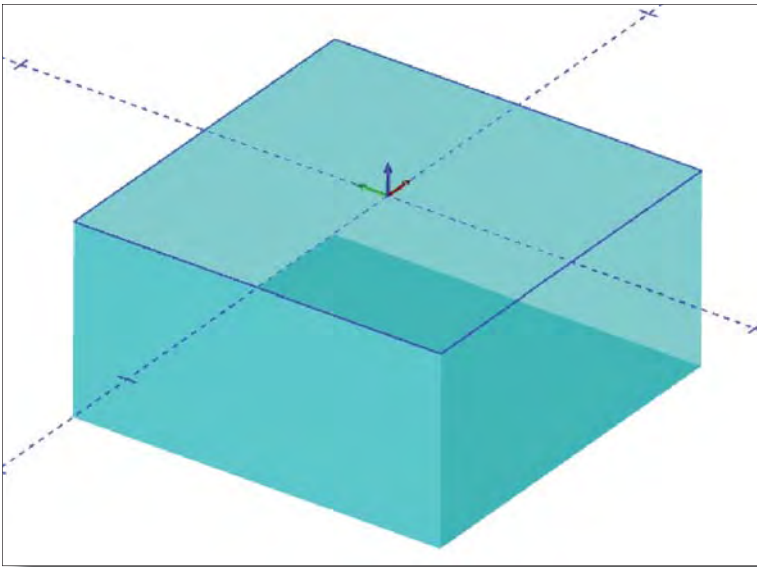


Step 2. In the **CAM Tree** tab of the **Data-CAM Tree Manager**, right-click on **Stock Geometry** under the **Milling Stock** section.

Hold the Shift key down on the keyboard and left-click anywhere on the rectangle. The entire shape should highlight. If this is so, right-click anywhere in the **Workspace** and click on **OK**. The stock will automatically appear in the **Workspace**.

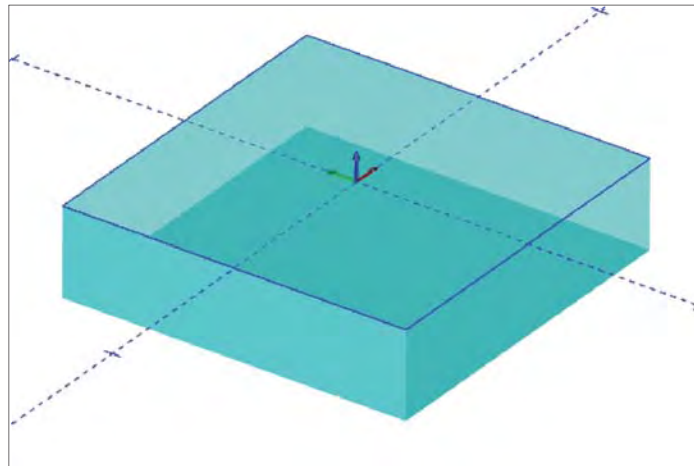
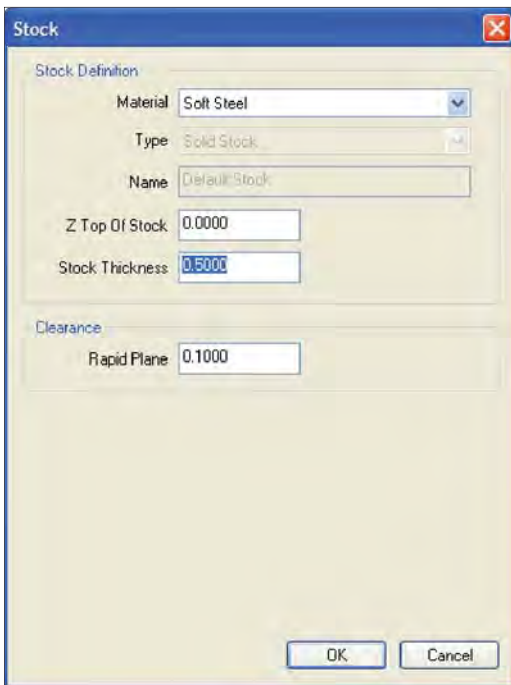


To view the stock as it appears now, rotate the view to display a 3D view. In the illustration below, the view has been rotated to display this.



To change the thickness of the stock, right-click on **Milling Stock** itself and choose **Edit**. In the field labeled **Stock Thickness**, type in a new thickness for the stock.

The default is 1 inch if BobCAD-CAM is set up in SAE / English / inch mode, and 25.4 is set up in metric. Change this number and click **OK** and the stock on the screen will automatically update. The illustration below is the same stock view, but with the thickness cut in half as shown in the box to the left.



It is important to note that the built-in verify will only simulate a rectangular stock shape, and if no stock geometry is chosen it will define the stock it uses by the extents of the toolpath. If irregularly-shaped stock is chosen, it will define its stock by the extents of the chosen shape. Higher versions of Predator Virtual CNC will verify

stock with any 2D shape. Stock for that is determined in exactly this same manner as the built-in verify with the exception that any closed 2D contour can be used for the stock shape. To simulate using the Predator Virtual CNC system, choose **Virtual CNC Mill** from the **Modules** menu and the current part will be loaded into it, including the stock shape and thickness if it has been set. Like the built-in verify, the Virtual CNC system will also define the stock itself from the extents of the toolpath if no shape has been set. If this functionality is required but the module is unavailable or greyed-out in the menu, contact the Sales department at BobCAD-CAM at 727-442-3554 (Intl.) or 877-262-2231 (US) to purchase the Predator Virtual CNC upgrade.